

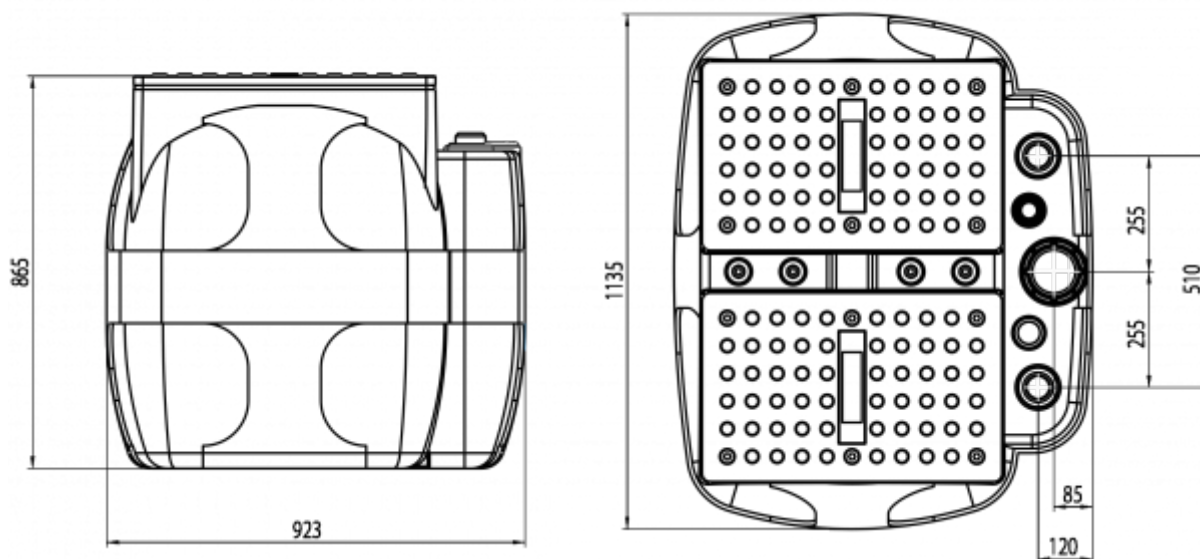
# Data Sheet



Article number: 7180102000704200

Description: Dreno Box type 600 B 2"  
Pump station with guide pipe

## Measures



Cable clamp	= N. 4 M20
Inlet	= Ø 110 mm
Kg	= 32
No. of pumps	= 2
Outlet (Mobile)	= 1"1/4 - 1"1/2 - 2"
Outlet (Stationary)	= Ø 63 mm
Ventilation (seal)	= 50 mm